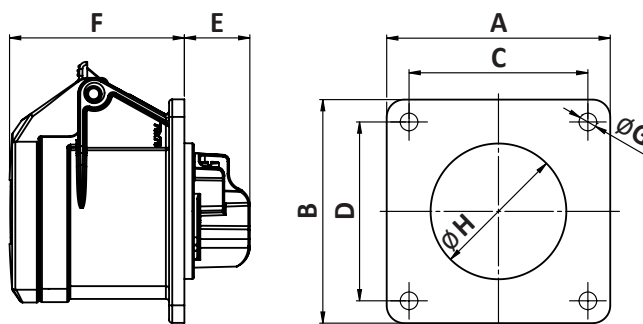


POWtec CEE Panel Mounted Socket Outlets IP54



- Splash-proof, IP54
- Screw terminals
- Brass contacts



Maximum Conductor Cross-section		
Current Rating	Flexible	Solid
16A	4mm ²	6mm ²
32A	6mm ²	10mm ²

Dimensions (mm)						
Poles	3	4	5	3	4	5
Current	16A			32A		
A and B	70	70	70	70	70	70
C and D	56	56	56	56	56	56
E	21	21	21	23	23	23
F	55	55	55	67	67	67
G	5.5	5.5	5.5	5.5	5.5	5.5
H	43	45	55	55	55	58
Weight (g)	115	127	141	162	178	206

Voltage		230 V~	400 V~
Frequency		50/60 Hz	50/60 Hz
Designation		3p = 6h 4p/5p = 9h	3p = 9h 4p/5p = 6h
Current	Poles	Part No.	Part No.
16A	3	POWtecS-316B-P0154	-
16A*	4	POWtecS-416B-P0144	POWtecS-416R-P0144
16A	5	POWtecS-516B-P0154	POWtecS-516R-P0154
32A*	3	POWtecS-332B-P0144	-
32A*	4	POWtecS-432B-P0144	POWtecS-432R-P0144
32A	5	POWtecS-532B-P0154	POWtecS-532R-P0154

* Splash-proof, IP44